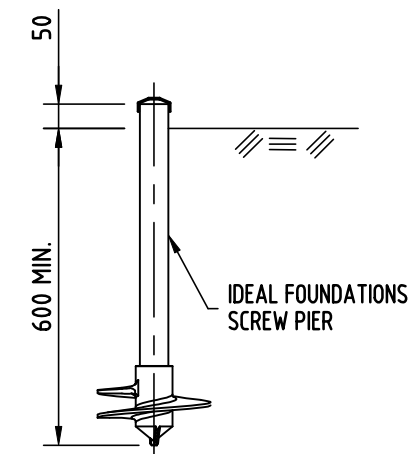


TYPICAL SCREW PIER CONNECTION DETAILS



SCREW PIER INSTALLATION

ISSUE:	DATE:	REVISIONS	
		ISSUED FOR CONSTRUCTION	
TITLE:		DRAWN:	
TYPICAL SCREW PIER DETAIL SMALL CAP ON PIER		DATE:	
		SCALE:	AS NOTED
		JOB No:	SHEET No: —



P: (02) 9725 5522  
E: info@idealcorp.com.au  
W: idealfoundations.com.au

CLIENT: IDEAL FOUNDATIONS

PROJECT:

COPYRIGHT: THIS DRAWING AND THE INFORMATION CONTAINED ON THIS PLAN REMAINS THE PROPERTY OF IDEALCORP PTY LTD AND MAY NOT BE ALTERED WITHOUT IDEALCORP PTY LTD WRITTEN CONSENT.