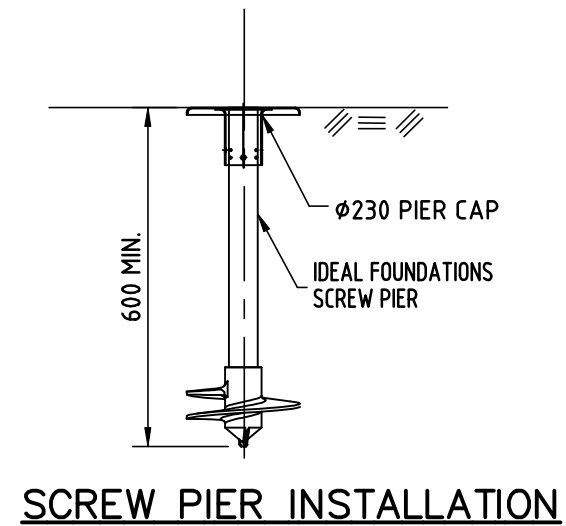


TYPICAL SCREW PIER CONNECTION DETAILS



SCREW PIER INSTALLATION



P: (02) 9725 5522
 E: info@idealcorp.com.au
 W: idealfoundations.com.au

COPYRIGHT: THIS DRAWING AND THE INFORMATION CONTAINED ON THIS PLAN REMAINS THE PROPERTY OF IDEALCORP PTY LTD AND MAY NOT BE ALTERED WITHOUT IDEALCORP PTY LTD WRITTEN CONSENT.

CLIENT: IDEAL FOUNDATIONS

PROJECT:

ISSUE:	DATE:	REVISIONS
		ISSUED FOR CONSTRUCTION
		DRAWN:
		DATE:
		SCALE: AS NOTED
		JOB No: SHEET No: —

TITLE:
 TYPICAL SCREW
 PIER DETAIL
 CAP UNDER
 SLAB